

JOS PR6

Semi-recessed pendants

design Roberto Mantovani



A semi-recessed suspended projector for ceiling installation, characterised by a minimal design and high optical performance. It lends itself to applications ranging from accent lighting to general illumination.

Proiettore sospeso per installazione a semi-incasso connotato da un design minimale ed elevate prestazioni ottiche. Si presta ad applicazioni che vanno dalla luce d'accento all'illuminazione generale.

Projecteur suspendu pour installation semi-encastree, caractérisé par un design minimaliste et de hautes performances optiques. Il est indiqué pour les applications allant de l'éclairage d'accentuation à l'éclairage général.



IP20 made in Italy

Abgehängter Projektor für die Halbeinbau-Installation mit minimalistischem Design und hoher optischer Leistung. Eignet sie sich für Anwendungen von der Akzentbeleuchtung bis zur Allgemeinbeleuchtung.

Proyector colgante para instalación semi empotrable caracterizado por un diseño minimalista y un alto rendimiento óptico. Se presta a aplicaciones que van desde la iluminación de acento hasta la iluminación general.

Supply current

500mA (V_i 9V)

Power

6W

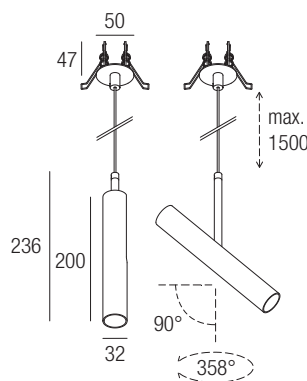
Series wiring

CRI

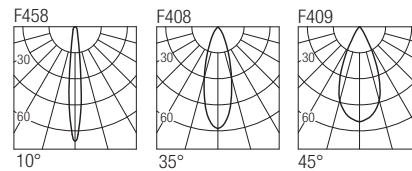
98

2-Step MacAdam

Dimensions



Photometric diagrams

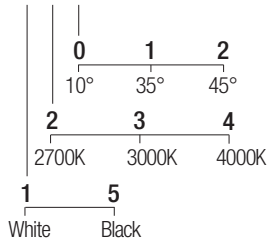


CCT/CRI/Flux

2700K	540 lm
3000K	600 lm
4000K	620 lm

Code construction

JSPR6 X X X



Note: Made-to-measure cable available on request.

Accessories

LJ02 White
LJ02B Black
Low luminance louver

SJ02 White
SJ02B Black
Milky screen

Note: The filter and screen are not compatible with the 10° lens versions.

AL7022

24VDC/500mA constant current converter

Drivers 500mA

on/off

AL1074 (1..2) IP20 ⌀ 30 mm
AL1077 (1..2) IP20 ⌀ 40 mm
AL1084 (1..3) IP20 S.P. ⌀ 55 mm

dimmmable

AL4010 (1..4) IP20 PUSH 0/1..10V ⌀ 72 mm
ALD450 (1..2) IP20 DALI 2 PUSH ⌀ 36 mm
AL4151 (1..4) IP20 DALI 2 ⌀ 72 mm
AL4153 (1..4) IP20 PUSH IGBT-TRIAC ⌀ 56 mm