

## JOS PR10

Semi-recessed pendants

design Roberto Mantovani



A semi-recessed suspended projector for ceiling installation, characterised by a minimal design and high optical performance. It lends itself to applications ranging from accent lighting to general illumination.

Proiettore sospeso per installazione a semi-incasso connotato da un design minimale ed elevate prestazioni ottiche. Si presta ad applicazioni che vanno dalla luce d'accento all'illuminazione generale.

Projecteur suspendu pour installation semi-encastree, caractérisé par un design minimaliste et de hautes performances optiques. Il est indiqué pour les applications allant de l'éclairage d'accentuation à l'éclairage général.



IP20 made in Italy

Abgehängter Projektor für die Halbeinbau-Installation mit minimalistischem Design und hoher optischer Leistung. Eignet sie sich für Anwendungen von der Akzentbeleuchtung bis zur Allgemeinbeleuchtung.

Proyector colgante para instalación semi empotrable caracterizado por un diseño minimalista y un alto rendimiento óptico. Se presta a aplicaciones que van desde la iluminación de acento hasta la iluminación general.

**Supply current**  
500mA (V<sub>i</sub> 18V)

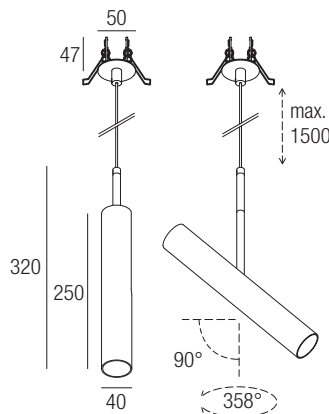
**Power**  
10W

**Series wiring**

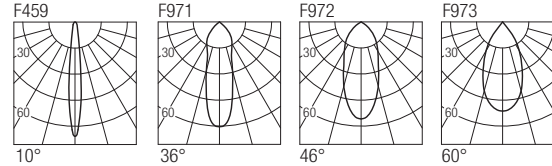
**CRI**  
85-93

**2-Step MacAdam**

### Dimensions



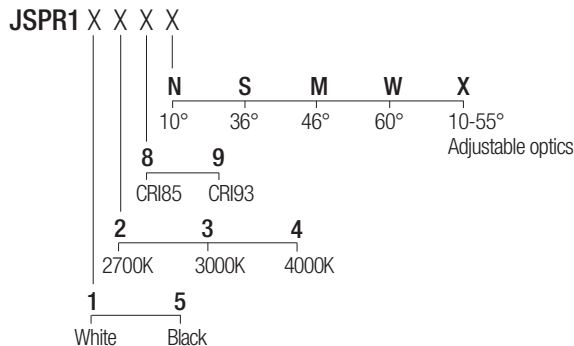
### Photometric diagrams



### CCT/CRI/Flux

	CRI85	CRI93
2700K	890lm	840lm
3000K	1000lm	930lm
4000K	1040lm	960lm

### Code construction



Note: Made-to-measure cable available on request.

### Accessories

**LJ01** White  
**LJ01B** Black  
Low luminance louver



**SJ01** White  
**SJ01B** Black  
Milky screen



Note: The filter and screen are not compatible with the 10° and adjustable 10-55° lens versions.

### AL7022

24VDC/500mA constant current converter

### Drivers 500mA

on/off

**AL1074** (1) IP20 30 mm

**AL1077** (1) IP20 40 mm

**AL1084** (1..2) IP20 S.P. 55 mm

dimnable

**AL4010** (1..2) IP20 PUSH 0/1..10V 72 mm

**ALD450** (1) IP20 DALI 2 PUSH 36 mm

**AL4151** (1..2) IP20 DALI 2 72 mm

**AL4153** (1..2) IP20 PUSH IGBT-TRIAC 56 mm