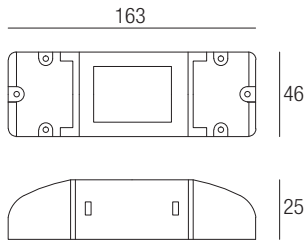


## CO1062

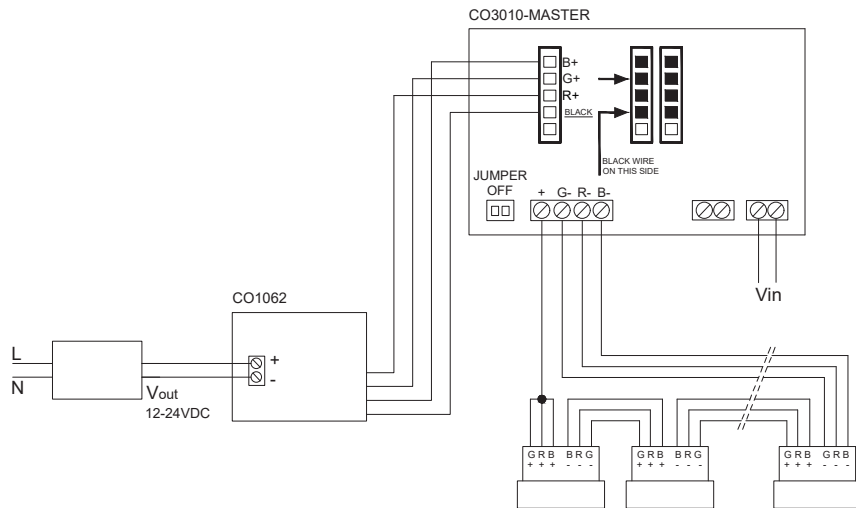
Radio receiver RGB



I	Alimentazione	I	Frequenza	I	Output	I	Carico massimo
GB	Supply current	GB	Frequency	GB	Output	GB	Maximum load
F	Courant d'alimentation	F	Fréquence	F	Output	F	Charge maximale
D	Stromversorgung	D	Frequenz	D	Output	D	Maximale Belastung
E	Corriente de alimentación	E	Frecuencia	E	Output	E	Carga máxima
	<b>12-24VDC</b>		<b>2,4GHz</b>		<b>Vin-0,1V</b>		<b>4 x 2,5A</b>

ISTRUZIONI PER L'USO - OPERATING INSTRUCTIONS - MODE D'EMPLOI - BEDIENUNGSANLEITUNG - INSTRUCCIONES DE USO

### 1. MASTER



### 2. MASTER/SLAVE (MAX 1 MASTER+9 SLAVE)

